

PROJECT:

MODEL: KD38 SS Grating w/Hidden Locking Devices, Alum Subframe - LEVEL BED APPLICATION
 STANDARD MILL FRAME

GENERAL SPECIFICATIONS: KD38

TREAD MATERIAL: TYPE 304 SS .089" x .138"
 #4 SATIN FINISH SPACED .125"; SPACING +/- .005.

SUPPORT RODS: 0.263" dia. SPACED 2" D.C.

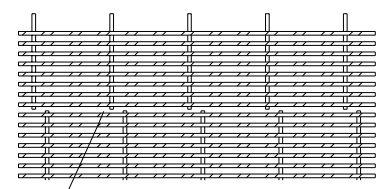
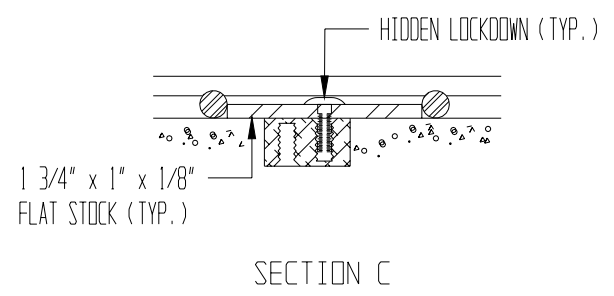
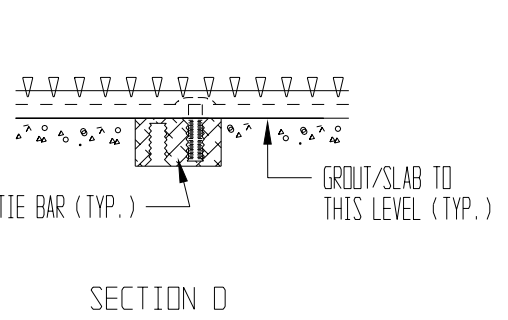
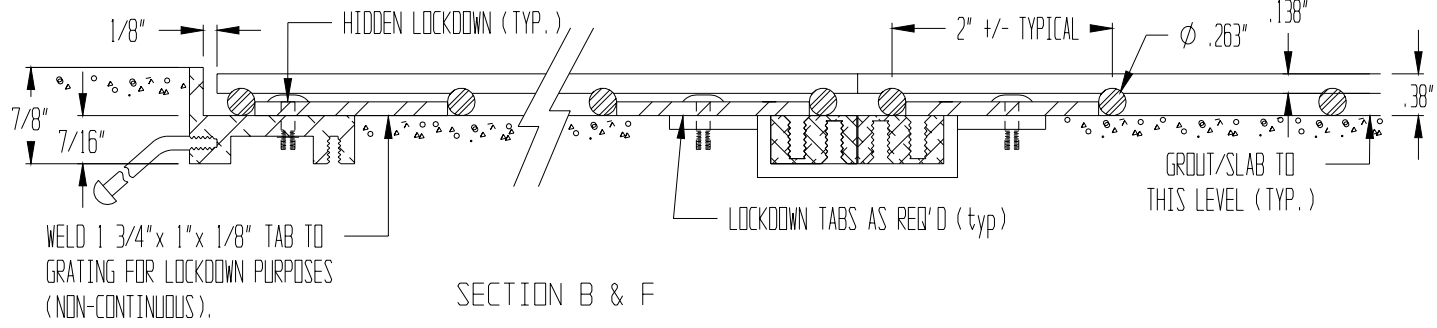
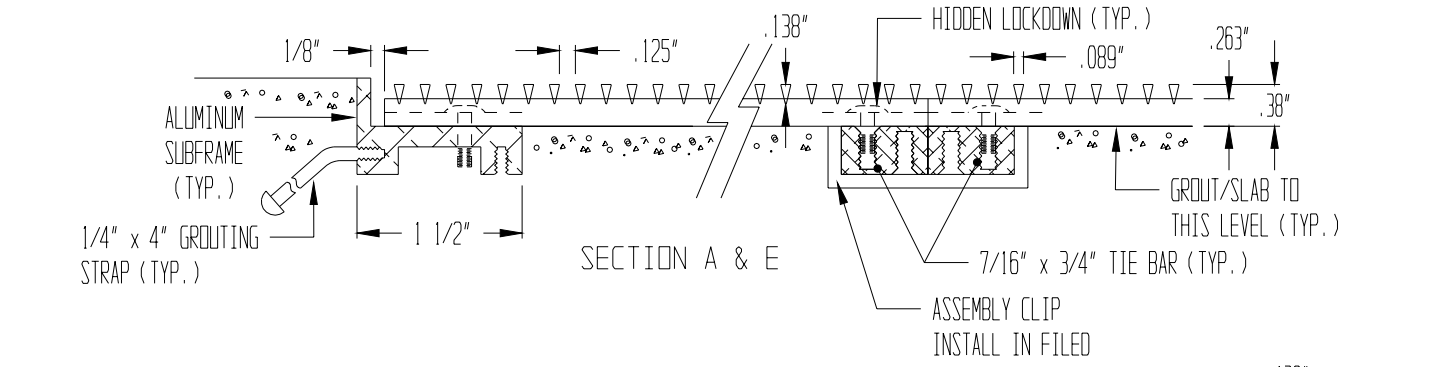
CONSTRUCTION: EACH JUNCTURE OF SURFACE WIRES TO SUPPORT RODS SHALL HAVE ELECTRIC RESISTANCE WELDED JOINTS.

OVERALL DIMENSION TOLERANCES:
 GRATING: +0, -.125" , FRAME: +0, -.125"

MANUFACTURING TOLERANCES:
 ANSI/NAAMM A202.1-1981 APPLICABLE TO:
 ON CENTER MEASUREMENT OF TREAD MATERIAL
 DIAGONAL MEASUREMENTS (SQUARE)
 TRANSVERSE BOW (BEFORE FASTENING)
 LONGITUDINAL BOW (BEFORE FASTENING)

MATERIAL TOLERANCES:
 ASTM A484/A484M APPLICABLE TO SS ANGLES
 ASTM B221-88 APPLICABLE TO ALUM SHAPES

SPECIAL NOTES:
 * GC/INSTALLER IS RESPONSIBLE FOR COPLANAR INSTALLATION OF MAT SURFACE TO SURROUNDING FLOOR CONDITIONS
 * GIVEN THAT THE NUMBER OF SURFACE WIRES (TREAD MATERIAL) IN ONE FOOT IS ABOUT SIXTY, IT IS PROBABLE THAT ADJACENT PANELS' WIRES WILL NOT ALIGN IN EVERY CASE. IN MOST CASES, THE WIRES WILL ALIGN FOR SEVERAL INCHES THEN APPEAR TO WALK. THIS IS AN UNAVOIDABLE MANIFESTATION OF THE MANUFACTURING PROCESS. THIS CONDITION APPLIES TO THE SUPPORT RODS AS WELL. SIMILARLY IN MITERED CORNERS, THE VARIANCES OF SLOTS WITHIN THE NORMAL TOLERANCE RANGES PRECLUDES GUARANTEED ADJACENT PANEL WIRE ALIGNMENT.



NOTE: KD38 IS DESIGNED TO REST DIRECTLY ON THE RECESS FLOOR. (IT DOES NOT SPAN)

DETAIL A: SUPPORT RODS MAY NOT ALIGN
 380lj.pfn